

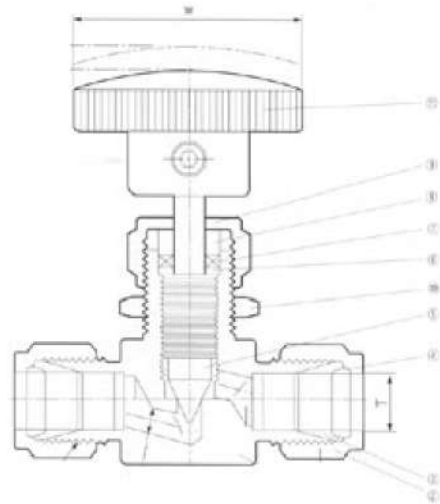
## FORGED INTEGRAL BONNET NEEDLE VALVES



### SPECIFICATION

1. CONNECTION : AVLOK TUBE FITTING
2. MAX OPERATION TEMPERATURE : -50°c ~ +232°
3. MAX OPERATION PRESSURE  
 ASTM A182 F316 : 5000PSIG  
 BRASS : 3000PSIG
4. AVAILABLE WITH PLASTIC OR SS/ALUMINIUM BAR HANDLES.
5. SIZE RANGE 1/8" UPTO 1"

No.	Description	SS316Valves	Brass Valves
1.	Body	316SS	Brass
2.	Nut	316SS	Brass
3.	Front Ferrule	316SS	Brass
4.	Back Ferrule	316SS	Brass
5.	Stem	316SS	316SS
6.	Packing Ring	316SS	Brass
7.	Packing	TFE	TFE
8.	Packing Gland	316SS	Brass
9.	Packing Nut	316SS	Brass
10.	Lock Nut	316SS	Brass
11.	Handle	Standard	P.C.
		Alternative	316SS (BAR) Brass (Bar)



All dimensions are for reference only, and are subject to change without prior notice.  
 Sizes and types other than those featured above are available on request.

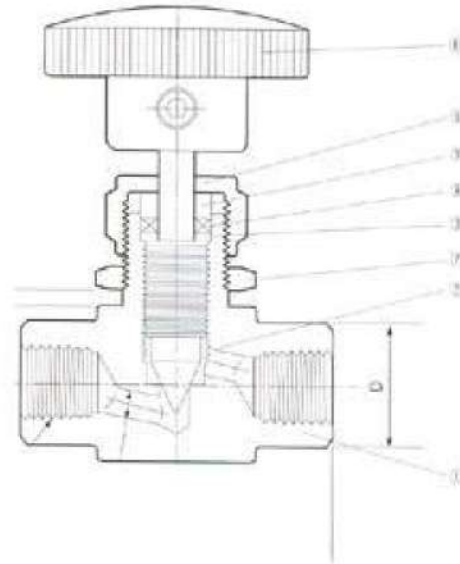
## FORGED INTEGRAL BONNET NEEDLE VALVES



### SPECIFICATION

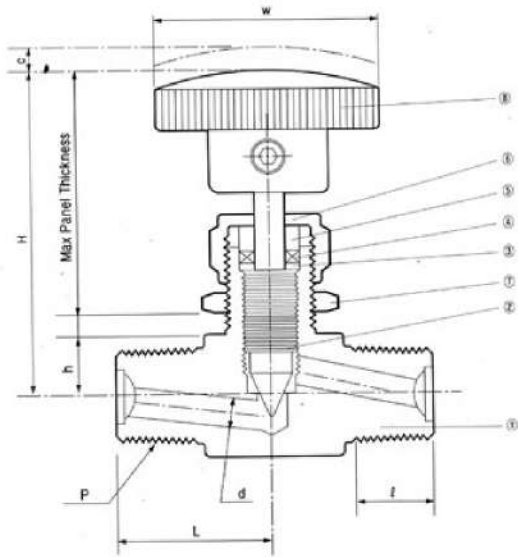
1. CONNECTION : FEMALE THREAD (BSP/NPT)
2. MAX OPERATION TEMPERATURE : -50°c ~ +232°
3. MAX OPERATION PRESSURE  
 ASTM A182 F316 : 5000PSIG  
 BRASS : 3000PSIG
4. AVAILABLE WITH PLASTIC/SS BAR HANDLES
5. SIZE RANGE 1/8" UPTO 1"

No.	Description	SS316Valves	Brass Valves
1.	Body	316SS	Brass
2.	Stem	316SS	316SS
3.	Packing Ring	316SS	Brass
4.	Packing	TFE	TFE
5.	Packing Gland	316SS	Brass
6.	Packing Nut	316SS	Brass
7.	Lock Nut	316SS	Brass
8.	Handle	Standard	P.C.
		Alternative	316SS (BAR) Brass (Bar)



All dimensions are for reference only, and are subject to change without prior notice.  
 Sizes and types other than those featured above are available on request.

## FORGED INTEGRAL BONNET NEEDLE VALVES



### SPECIFICATION

1. CONNECTION : MALE THREAD (BSP/NPT)
2. MAX OPERATION TEMPERATURE : -50°c ~ +232°
3. MAX OPERATION PRESSURE  
ASTM A182 F316 : 5000PSIG
4. AVAILABLE WITH PLASTIC/SS BAR HANDLES
5. SIZE RANGE 1/8" UPTO 1"

No.	Description	SS316Valves	Brass Valves
1.	Body	316SS	Brass
2.	Stem	316SS	316SS
3.	Packing Ring	316SS	Brass
4.	Packing	TFE	TFE
5.	Packing Gland	316SS	Brass
6.	Packing Nut	316SS	Brass
7.	Lock Nut	316SS	Brass
8.	Standard	P.C.	P.C.
	Alternative	316SS (BAR)	Brass (Bar)



All dimensions are for reference only, and are subject to change without prior notice.  
 Sizes and types other than those featured above are available on request.

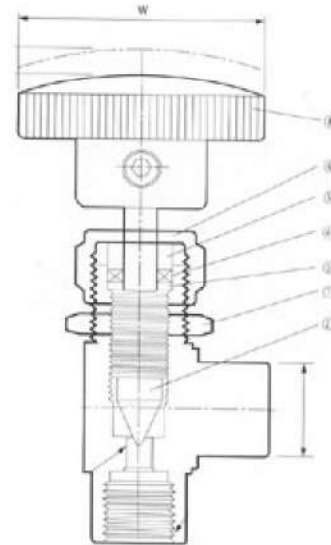
## FORGED INTEGRAL BONNET ANGLE TYPE VALVES



### SPECIFICATION

1. CONNECTION : FEMALE THREAD (BSP/NPT)
2. MAX OPERATION TEMPERATURE : -50°C ~ +232°
3. MAX OPERATION PRESSURE  
 ASTM A182 F316 : 5000PSIG  
 BRASS : 3000PSIG
4. AVAILABLE WITH PLASTIC OR SS/ALUMINIUM BAR HANDLES.
5. SIZE RANGE 1/8" UPTO 1"

No.	Description	SS316Valves	Brass Valves
1.	Body	316SS	Brass
2.	Stem	316SS	316SS
3.	Packing Ring	316SS	Brass
4.	Packing	TFE	TFE
5.	Packing Gland	316SS	Brass
6.	Packing Nut	316SS	Brass
7.	Lock Nut	316SS	Brass
8.	Handle	Standard	P.C.
		Alternative	316SS (BAR) Brass (Bar)



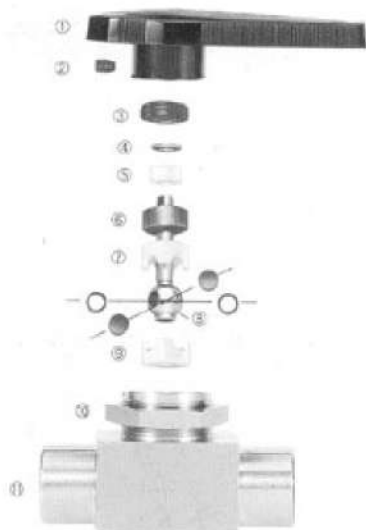
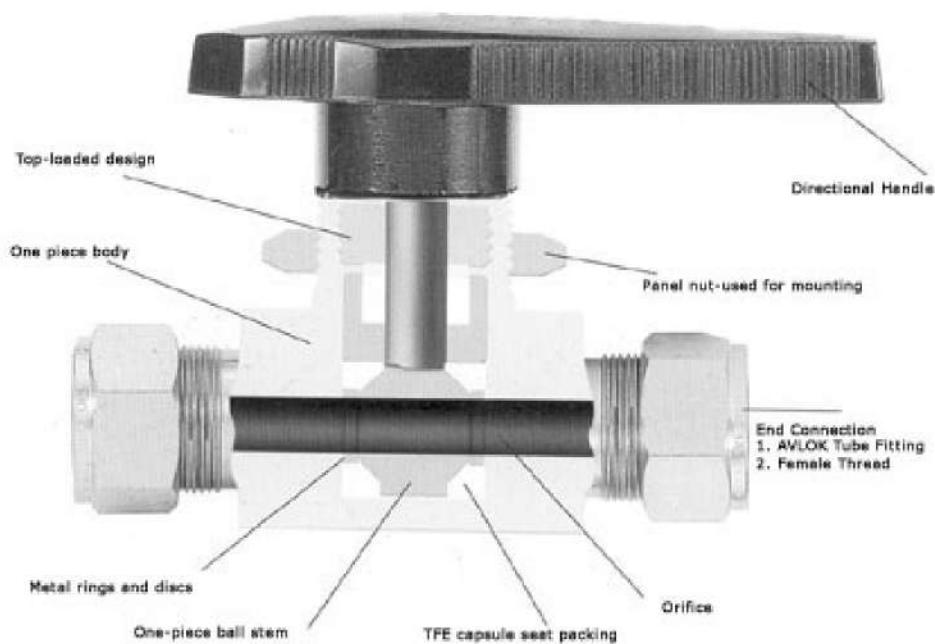
All dimensions are for reference only, and are subject to change without prior notice.  
 Sizes and types other than those featured above are available on request.

## BALL VALVES

### SPECIFICATION



1. CONNECTION : AVLOK TUBE FITTING FEMALE THREAD
2. OPERATION TEMPERATURE : -10°C ~ +65°C (50°F ~ 150°F)
3. MAX OPERATION PRESSURE : ASTM A182 F316 : 3000 PSIG (206 BAR)
4. SIZE RANGE 1/8" UPTO 1"
5. AVAILABLE IN S.S. AND BRASS



No.	Description	SS316
1.	Handle	Nylon
2.	Set Screw	Steel
3.	Packing Bolt	316SS
4.	Upper Gland	316SS
5.	Bushing	TFE
6.	Lower Gland	316SS
7.	Upper Packing	TFE
8.	Ball Stem	316SS
9.	Side Disk	316SS
10.	Lower Packing	TFE
11.	Panel Nut	304SS
12.	Body	316SS

**Lubrication:** Silicon base lubricant



All dimensions are for reference only, and are subject to change without prior notice.  
 Sizes and types other than those featured above are available on request.

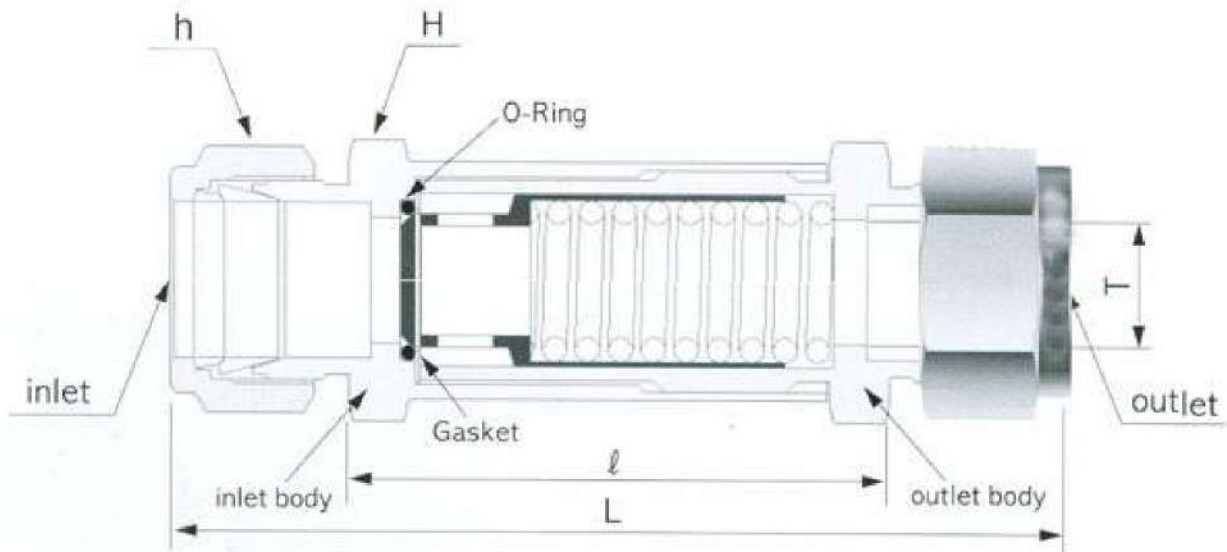
## CHECK VALVES

### AVLOK CHECK / NON-RETURN VALVES



#### FEATURES:

- Available in SS316 and Brass
- Working pressure upto 3000 PSIG.
- Temperature rating -20°C to 190°C with viton seal.
- Cracking pressure 1, 10, 25 PSIG available.
- Available in AVLOK, male/female (BSP/NPT Threads)
- Sizes range 1/8" upto 1".



#### Material of Construction:

<b>Body</b>	-	<b>SS316/Brass</b>
<b>O-Ring</b>	-	<b>Viton</b>
<b>Gasket</b>	-	<b>SS316</b>
<b>Popet</b>	-	<b>SS316</b>
<b>Spring</b>	-	<b>SS316</b>



All dimensions are for reference only, and are subject to change without prior notice.  
 Sizes and types other than those featured above are available on request.